

SOLITUDE

BPD31236



Project:

Location:

Fixture Type:

Catalog Number:

AVAILABLE FINISHES



AB: Aged Brass AN: Antique Nickel

DESCRIPTION

A dramatic character that you can't help but fall in love with. The Solitude chandelier features Schonbek optic haze crystal composed of natural quartz gemstone that illuminates and gravitates. Crystal spears juxtapose heroically with bolts of luminous energy.

FEATURES

- Unique hazy quartz crystal diffuser
- Each hand selected piece features unique variations
- Built-in color temperature adjustability switch from 3000K/3500K/4000K at time of installation
- Three 12" and one 6" down rods included (additional sold separately)
- Hang straight swivel
- Thin canopy conceals a proprietary 120/277V driver
- Spin-on round canopy with minimal hardware
- Can be mounted on a sloped ceiling

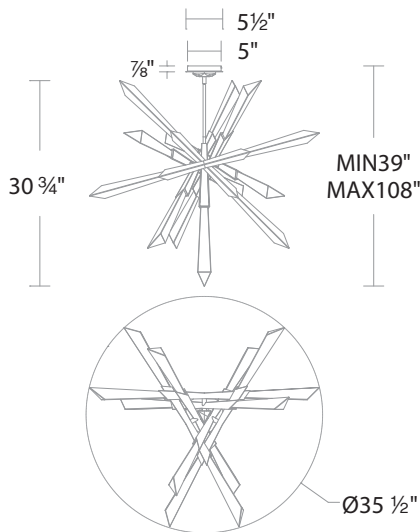
SPECIFICATIONS

CRI	90
Dimming	ELV, TRIAC
Standards	ETL/cETL, Damp, Title 24

REPLACEMENT PARTS

- RPL-GLA-31236 - Optic Haze Crystal
- RPL-RODIN06-886-AB - 6" Rod (AB)
- RPL-RODIN12-886-AB - 12" Rod (AB)
- RPL-RODIN06-866-AN - 6" Rod (AN)
- RPL-RODIN12-866-AN - 12" Rod (AN)

LINE DRAWING



Model	Size	LED Color Temp	Finish	Voltage	Wattage	Weight	LED Lumens	Delivered Lumens
BPD31236	36"	3000K/3500K/4000K	AB Aged Brass AN Antique Nickel	120/277V	29W	13 lb	1800	1444

Example: BPD31236-AN