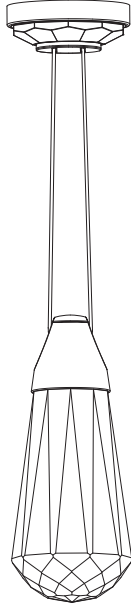


ASSEMBLY & INSTALLATION INSTRUCTIONS

Fixture
BPD36312

SCHONBEK
Beyond



WARNING

IMPORTANT: NEVER attempt any work without shutting off the electricity.

- o Read all instructions before installing.
- o System is intended for installation in accordance with the National Electrical Code (NEC), other applicable installation code(s) and local regulations by a licensed electrician familiar with the operation of the product and the hazards involved.
- o Go to the main fuse box, or circuit breaker panel. Place the main power switch in the "OFF" position and unscrew the fuse (s) or switch "OFF" the circuit breaker switch (es) that control the power to the fixture (s) or room that you are working on.
- o Place the wall switch in the "OFF" position.
- o FAILURE TO INSTALL THIS FIXTURE IN ACCORDANCE WITH THESE INSTRUCTIONS MAY RESULT IN SERIOUS PERSONAL INJURY OR DEATH AND/OR PROPERTY DAMAGE.

CAUTION

- o All parts must be used as indicated in these instructions. Do not substitute any parts, leave parts out, or use any parts that are worn out or broken. Failure to follow this instruction could invalidate the ETL/CETL Listing of this fixture.
- o When handling the fixture, do not apply pressure to the LEDs or bulbs. Hold the fixture by the base only.
- o Do not exceed maximum wattage noted on the fixture. Use only the recommended LED or standard lamps with the fixture.

ADVERTENCIA

IMPORTANTE: NUNCA trate de hacer ningún trabajo sin desconectar la electricidad.

- o Lea todas las instrucciones antes de instalar.
- o El sistema tiene por objeto la instalación de acuerdo con el Código Eléctrico Nacional, y otros códigos de instalación y reglamentos locales aplicables, por parte de un electricista autorizado que esté familiarizado con el funcionamiento del producto y los peligros involucrados.
- o Vaya a la caja de fusibles o al panel de disyuntores principal. Ponga el interruptor principal de alimentación en la posición de "APAGADO", y desenrosque los fusibles o "DESCONECTE" los disyuntores que controlen la alimentación a los dispositivos o la habitación en los que usted está trabajando.
- o Ponga el interruptor de pared en la posición de "APAGADO".
- o EL HECHO DE NO INSTALAR ESTE DISPOSITIVO DE ACUERDO CON ESTAS INSTRUCCIONES PODRÍA RESULTAR EN UNA LESIÓN PERSONAL GRAVE O LA MUERTE, Y/O DAÑOS A LA PROPIEDAD.

PRECAUCIÓN

- o Todas las piezas deben usarse como se indica en estas instrucciones. No sustituya ninguna pieza, no deje piezas fuera, ni utilice ninguna pieza que esté desgastada ni rota. El hecho de no seguir estas instrucciones podría invalidar la certificación ETL/CETL de este dispositivo.
- o Al manipular el dispositivo, no aplique presión a los LED ni las bombillas. Sujete el dispositivo solo por la base.
- o No exceda la potencia máxima indicada en el dispositivo. Use solo los LED o las bombillas estándar recomendados con el dispositivo.

ADVERTENCIA

IMPORTANTE: NUNCA trate de hacer ningún trabajo sin desconectar la electricidad. IMPORTANT : Ne JAMAIS entreprendre des travaux sans couper l'électricité.

- o Lire toutes les instructions avant l'installation.
- o Ce système est conçu pour être installé conformément au Code national de l'électricité ou d'autres codes d'installation et réglementations locales en vigueur par un électricien agréé connaissant le fonctionnement de ce produit et les dangers qu'il comporte.
- o Aller à la boîte à fusibles ou panneau principal de disjoncteurs. Placer l'interrupteur d'alimentation principal sur « ARRÊT » et dévisser le ou les fusibles ou mettre sur « ARRÊT » le ou les disjoncteurs qui contrôlent l'alimentation du ou des appareils électriques ou de la pièce dans laquelle vous travaillez.
- o Mettre l'interrupteur mural sur « ARRÊT ».
- o NÉGLIGER D'INSTALLER CET APPAREIL CONFORMÉMENT À CES INSTRUCTIONS RISQUE D'ENTRAÎNER DE GRAVES BLESSURES PERSONNELLES OU LA MORT AINSI QUE DES DOMMAGES MATÉRIELS.
- o MISE EN GARDE
- o Toutes les pièces doivent être utilisées comme indiqué dans ces instructions. Ne remplacer aucune pièce, ne laisser aucune pièce de côté ou n'utiliser aucune pièce usée ou cassée. Le non-respect de cette directive peut invalider l'homologation ETL/CETL de cet appareil.
- o Lors de la manipulation de cet appareil, n'appliquer aucune pression sur les DEL ou les ampoules. Maintenir l'appareil par la base uniquement.
- o Ne pas dépasser le nombre de watts maximum indiqué sur l'appareil. N'utiliser que les DEL ou ampoules standard recommandées dans cet appareil.

SCHONBEK
Beyond

Schonbek, 61 Industrial Blvd, Plattsburgh, New York, 12901
Phone: 1-800-836-1892 | Fax: 518-563-4228 |
www.schonbek.com

ASSEMBLY & INSTALLATION INSTRUCTIONS

Fixture
BPD36312

SCHONBEK
Beyond

Fig. 2 Wiring




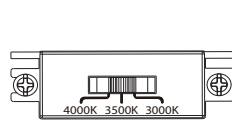
	Fixture Wires Black or Smooth	House Wires Black (Live)
	Fixture Wires White or Ribbed	House Wires White (Neutral)
	Fixture Wires Bare wire (Ground)	House Wires Green or Bare Copper (Ground)

Fig. 3 Switch



CEILING PLATE

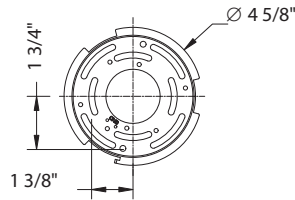


Fig. 5 Belt adjustment

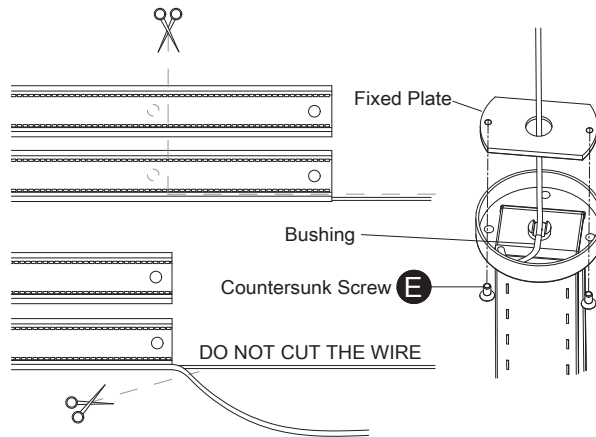
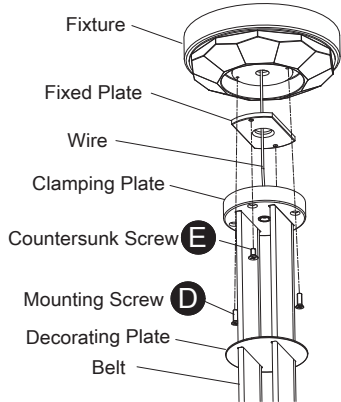
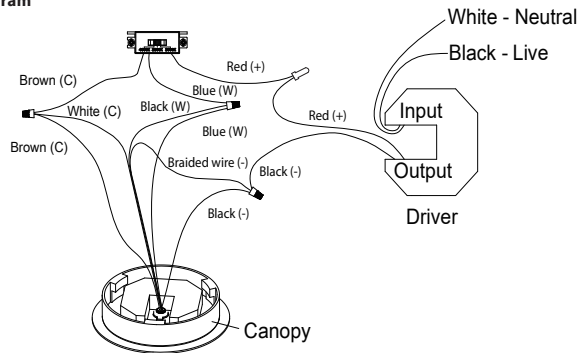


Fig. 4 Wire Diagram



HARDWARE

A



Wire Connector
Qty: 3pcs+1 Extra

B



Wire Connector(P1)
Qty: 3PCS+1 Extra

C



Canopy Screw
Qty: 1pc Extra

D



Mounting Screw
Qty: 2pcs+2 Extra

E



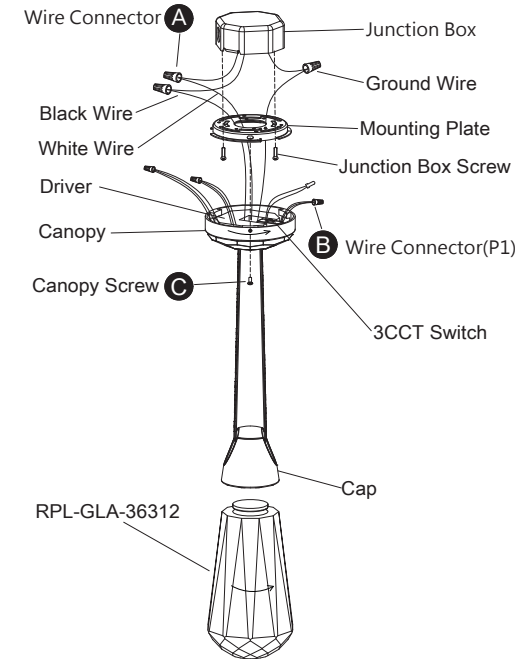
Countersunk Screw
Qty: 2pcs+2 Extra

ASSEMBLY & INSTALLATION INSTRUCTIONS

Fixture
BPD36312

SCHONBEK
Beyond

Fig. 1



PREPARATION

- Shut off the power at the circuit breaker and remove existing fixture, including the crossbar.
- Carefully unpack your new fixture and lay out all the parts in a clear area. Be careful not to lose any small parts necessary for installation.

MOUNTING THE FIXTURE (Fig. 1)

- Remove the canopy screw (C) from the fixture, and remove the ceiling plate.
- Set color temperature at this stage. The fixture can switch between three color temperatures (4000k, 3500k, 3000k), which can be adjusted to your preference using the 3CCT switch (Fig. 3) mounted in the canopy.
- Secure the ceiling plate to the junction box using the original junction box screws.
 - It is recommended to use only original junction box screws or replacements provided by junction box manufacturer.
 - The side of the wall plate marked "GND" must face out, towards the installer.

WIRING FIXTURE (Fig. 1, Fig. 2, Fig. 4)

- Choose the length of the belt suitable for your hanging height. Attach the canopy, swivel, and fixture body. Ensure all connections are tightened.

Note: Due to limited space within the canopy, shorten the wires as necessary to make the installation easier. Make sure to identify and label all the wiring properly (Fig. 4) before any trimming/shortening.

Warning: Modifying the fixture may result in voiding the warranty of the product. Only licensed persons should trim cables and perform rewiring.

CONNECTING THE WIRES (Fig. 2, Fig. 4)

- Connect the driver's output wires, fixture wire and 3CCT wire as shown in Fig. 4. Connect the driver's input wires to junction box wires as shown in Fig. 2. Ensure wire connectors are secure. Connect the fixture's ground wire to the ground in the junction box; this will be either a green wire or a bare copper wire. After driver is wired to house wires, tuck wires carefully inside the junction box.

COMPLETING THE INSTALLATION

- Mount the canopy against the ceiling plate. Slide the canopy in the direction of the notch until it latches in place. Fasten the canopy to the ceiling plate using the canopy screw (C).
- Rotate the crystal trim into the cap.

ADJUST BELT LENGTH (Fig. 5)

- Remove the decorating plate and mounting screws (D). Separate the clamping plate and fixture, then remove the countersunk screws (E).
- Remove the belt from the clamping plate. Cut along the dotted line and cut a hole in the center 10mm from each end of the belt. Do not cut the wire at this stage.

Note: (i) Determine the length of the cut belt according to individual needs.
(Choose the length of the belt suitable for your hanging height.)
- Thread the belt hole into the pull-proof hole of the clamping plate and place the wire in the groove. Make sure that the bushing is working as shown. Secure the belt with the fixed plate and countersunk screws (E).
- Connect the clamping plate, belt, decorating plate and fixture body with mounting screws (D). Ensure all connections are tightened. The installation is complete.